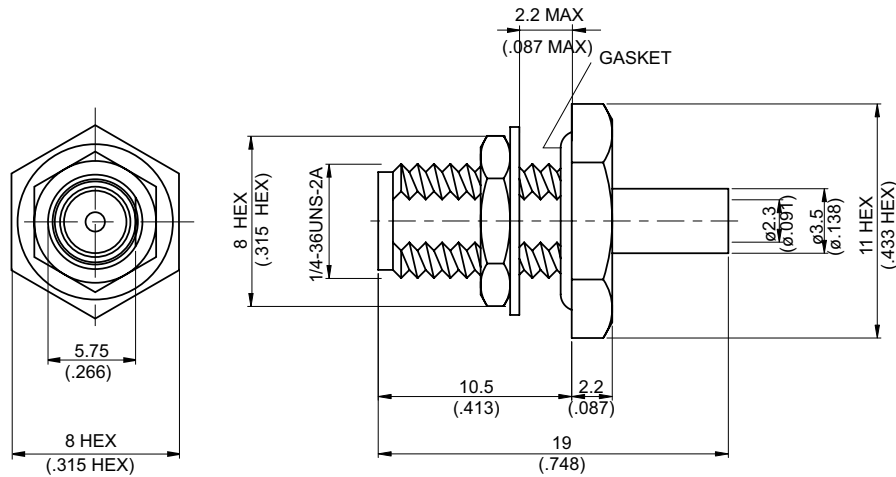
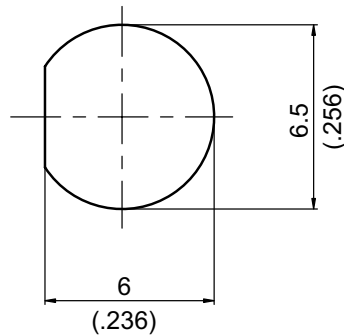


SMA8305-0085

SMA Jack Solder For Bulkhead 50Ω



MOUNTING HOLE :



Parts	Material	Plating (Micro-inch)
Hex Nut	Brass	Gold 5 Over Nickel 50 Over Copper 50
Lock Washer	Brass	Gold 5 Over Nickel 50 Over Copper 50
Gasket	Silicon	
Contact Pin	Beryllium Copper	Gold 20 Over Nickel 50 Over Copper 50
Insulator	Teflon	
Body	Brass	Gold 5 Over Nickel 50 Over Copper 50

Weight: 2.88 g

Suitable Cables: Semi-rigid.085

This part number complies with RoHS.

Notice: JYEBAO reserves the right to make modifications deemed appropriate.

CABLE ASSEMBLY INSTRUCTION

SMA8305-0085

JYE BAO CO., LTD.

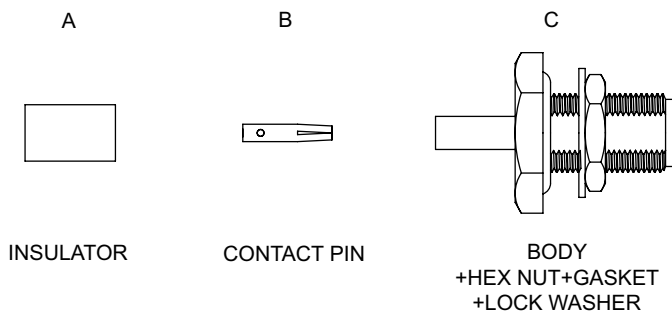


DIAGRAM	ASSEMBLY INSTRUCTION
	<p>Step 1: STRIP AS SHOWN.</p>
	<p>Step 2: INSERT CABLE'S CENTER CONDUCTOR INTO CENTER PIN AND SOLDER IN "Y", USE 0.3 MM GAGE.</p>
	<p>Step3: PUT CABLE INTO SOLDERING FIXTURE "ST-008". AND LOCK IT. PUT CONNECTOR AS SHOWN. Step4: SCREW LOCATOR TOOL "ST-011" TO THE POSITION AS SHOWN IN "S", AND SOLDER IN "X".</p>
	<p>Step5: USE DIELECTRIC INSERTION TOOL "ST-004" TO INSERT THE TEFLON "A".</p>

This part number complies with RoHS.

Notice: JYEBAO reserves the right to make modifications deemed appropriate.